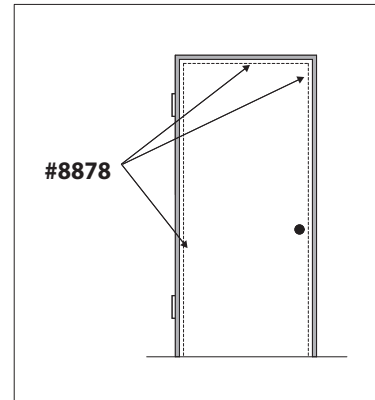
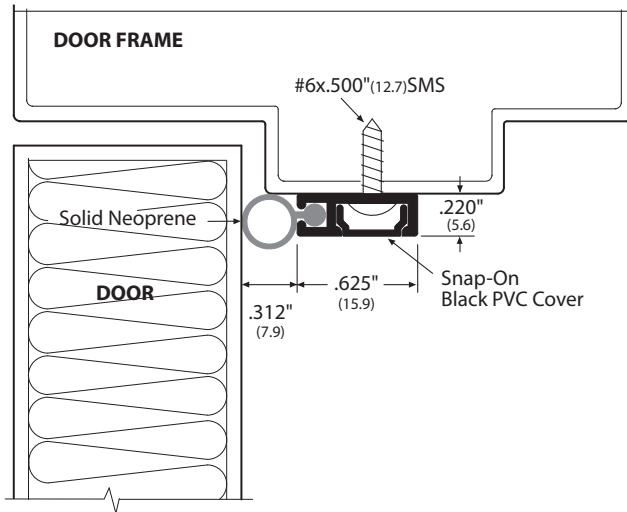


#8878 Head and Jamb Protection INSTALLATION INSTRUCTIONS



- 1 Close the door and measure the frame opening.
- 2 Install the gasketing (trim as necessary), head piece first. Place the piece against the face of door, making GENTLE contact between the rubber extrusion seal and the door. Secure in place with fasteners provided.
- 3 Place hinge side piece against the face of door, making GENTLE contact between the rubber extrusion seal and the door. Fasten in place. Repeat the same procedure with the lock side.
- 4 Snap on the PVC cover after all the screws are installed.



ZERO INTERNATIONAL

415 Concord Avenue, Bronx, NY 10455-1004
Tel: 718-585-3230 • Fax: 718-292-2243
Zero.Customer.Support@allegion.com
www.zerointernational.com

